

## DIMENSIONS

## MILLIMETERS(INCHES)

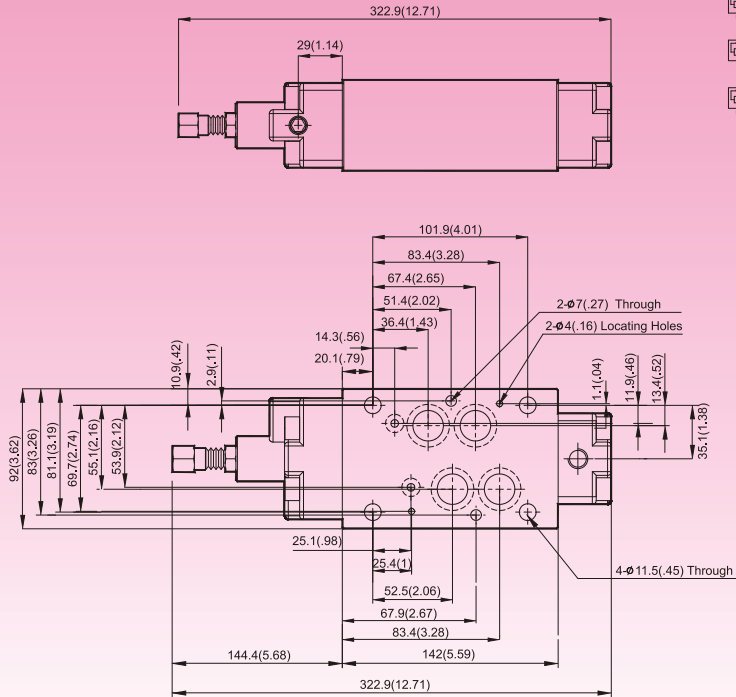
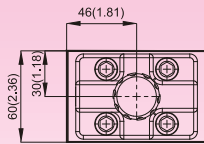
### MR\*-04

### Reducing Valves(Modular Type)

MOUNTING SURFACE:MR\*-04-CETOP7  
ISO 07-NFPAD07

#### Valve Specifications & Attachment

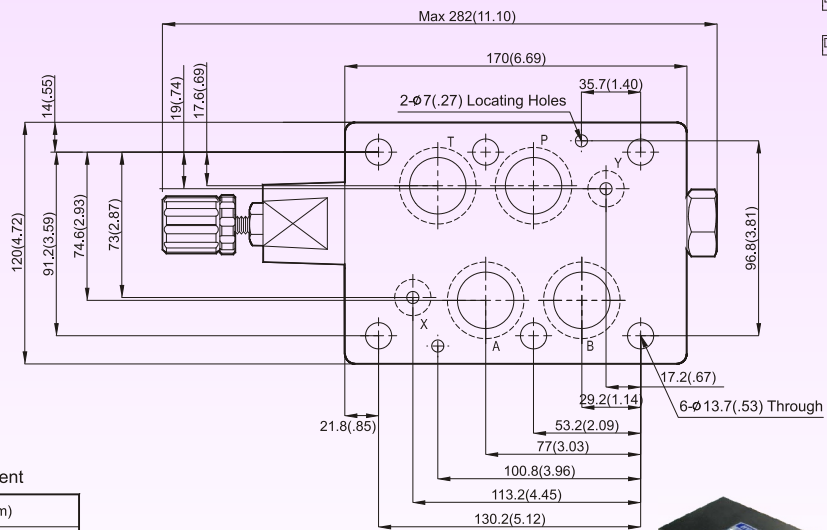
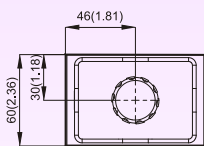
Flow Rating	190 lpm (50.2 gpm)
Max. Pressure	250 bar (3600 psi)
Weight kg(lbs.)	7.0 (15.4)
CODE:20	M6X125LgX2pcs M10X120LgX4pcs
CODE:2090	1/4-20UNCX4-7/8"LgX2pcs 3/8-16UNCX4-5/8"Lg X4pcs
Mounting Surface O-Ring	P9 x 2 pc & P22A x 4 pcs



### MR\*-06

### Reducing Valves(Modular Type)

MOUNTING SURFACE:MR\*-06-CETOP8  
ISO 08-NFPAD08



#### Valve Specifications & Attachment

Flow Rating	300 lpm (79.3 gpm)
Max. Pressure	250 bar (3600 psi)
Weight kg(lbs.)	11.2 (24.6)
CODE:20	M12X140LgX6pcs
CODE:2090	1/2-13UNCX4-5/8"Lg X6pcs
Mounting Surface O-Ring	P12 x 2 pc, P28 x 4 pcs

MRA-06  
MRB-06  
MRP-06

