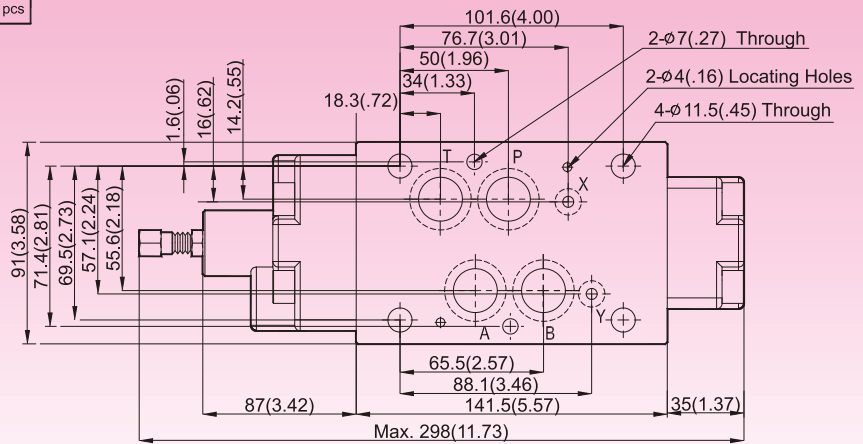
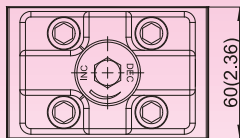


### MHB-04 Counterbalance Valves(Modular Type)

MOUNTING SURFACE:MH\*-04-CETOP7  
ISO 07-NFPAD07

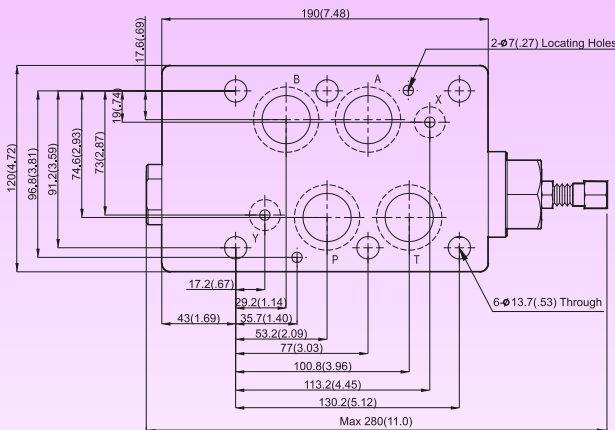
#### Valve Specifications & Attachment

|                         |   |
|-------------------------|---|
| Flow Rating             | 190 lpm (50.2 gpm)                                  |
| Max. Pressure           | 250 bar (3600 psi)                                  |
| Weight kg.(lbs.)        | 7.0 (15.4)  |
| CODE:20                 | M6X125LgX2pcs<br>M10X120LgX4pcs                     |
| CODE:2090               | 1/4-20UNCX4-7/8"LgX2pcs<br>3/8-16UNCX4-5/8"Lg X4pcs |
| Mounting Surface O-Ring | P9 x 2 pc & P22A x 4 pcs                            |

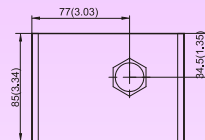


### MHB-06 Counterbalance Valves(Modular Type)

MOUNTING SURFACE:MH\*-06-CETOP8  
ISO 08-NFPAD08

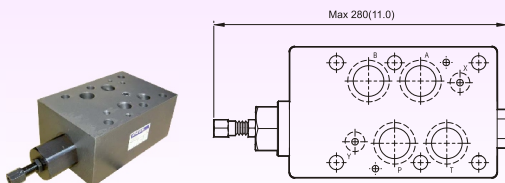


MHB-06



#### Valve Specifications & Attachment

|                         |                          |
|-------------------------|--------------------------|
| Flow Rating             | 300 lpm (79.3 gpm)       |
| Max. Pressure           | 250 bar (3600 psi)       |
| Weight kg.(lbs.)        | 11.2 (24.6)              |
| CODE:20                 | M12X140LgX6pcs           |
| CODE:2090               | 1/2-13UNCX4-5/8"Lg X6pcs |
| Mounting Surface O-Ring | P12 x 2 pc, P28 x 4 pcs  |



MHA-06