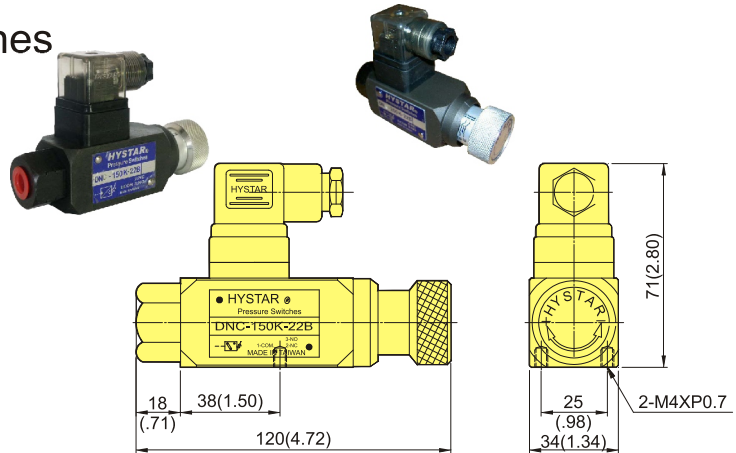
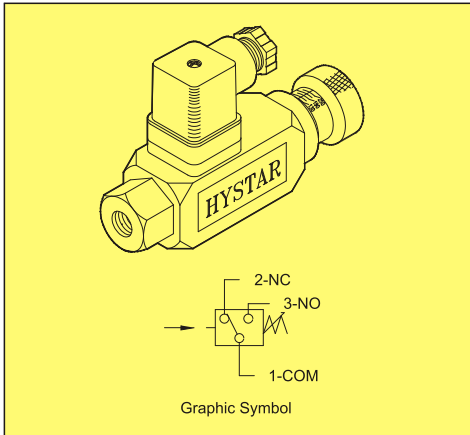


## DIMENSIONS

MILLIMETERS(INCHES)

### DNC Series Pressure Switches



### Ordering Code

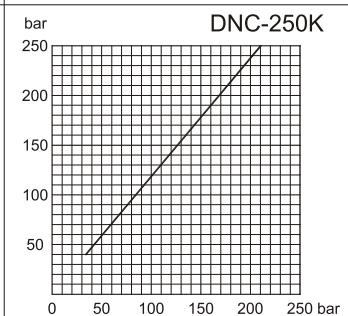
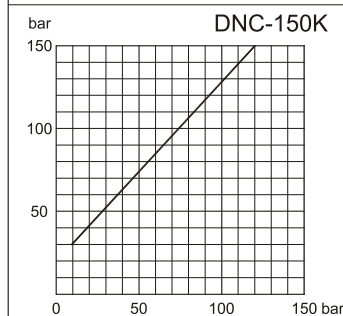
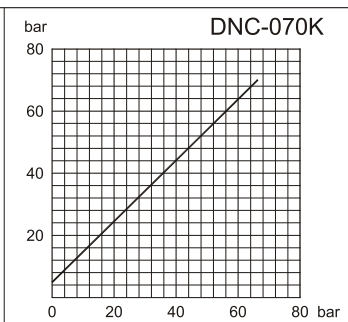
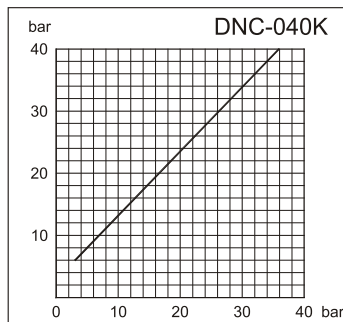
**DNC - 150K - 22B**

- ①                      ②                      ③
- ① Series  
DNC-  
General type.
- ② Pressure Adj. Range

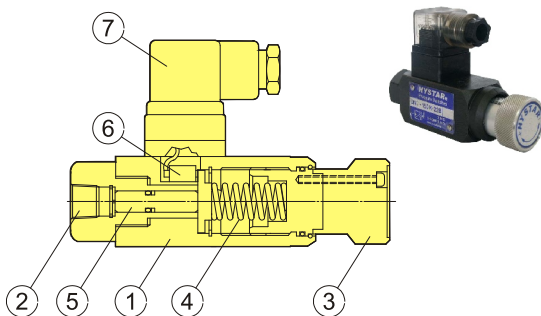
Model	Pres Adj. Range bar	Surge Pres. bar	Weight kg
040K	6~ 40	150	0.6
070K	5~ 70	200	0.6
150K	30~150	300	0.6
250K	40~250	300	0.6

- ③ Design Number  
22B:1/4"PT(Rc)  
22B80:1/4"PF(G)  
22B90:1/4"NPT

### Hysteresis Diagrammes



### Schematic Cross-Section



No.	Part Name
1	Body(Casting-Iron)
2	Connection Port 1/4"PT(Rc)
3	Pressure Adj. Knob
4	Spring
5	Servo-Piston
6	Micro-Switch
7	Electrical Connector