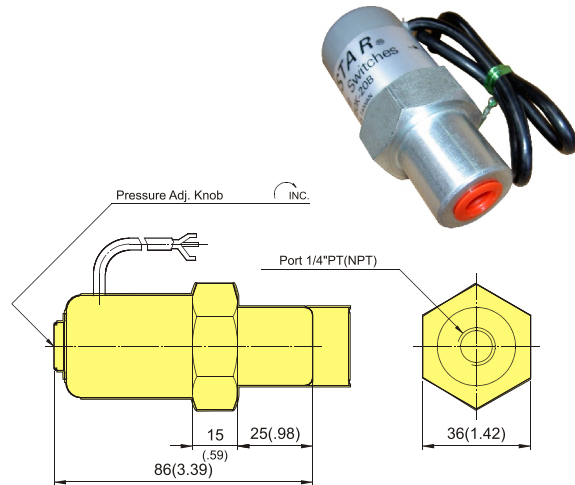
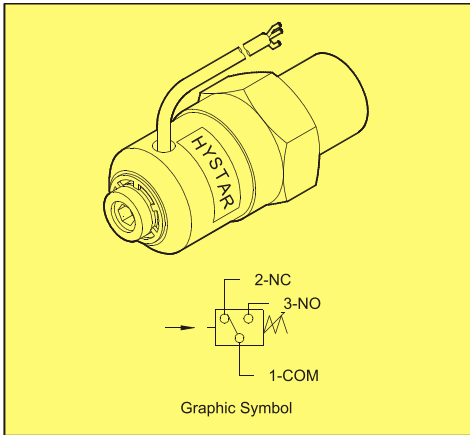


DIMENSIONS

MILLIMETERS(INCHES)

DNK Series Pressure Switches



Ordering Code

DNK - 100K - 22B

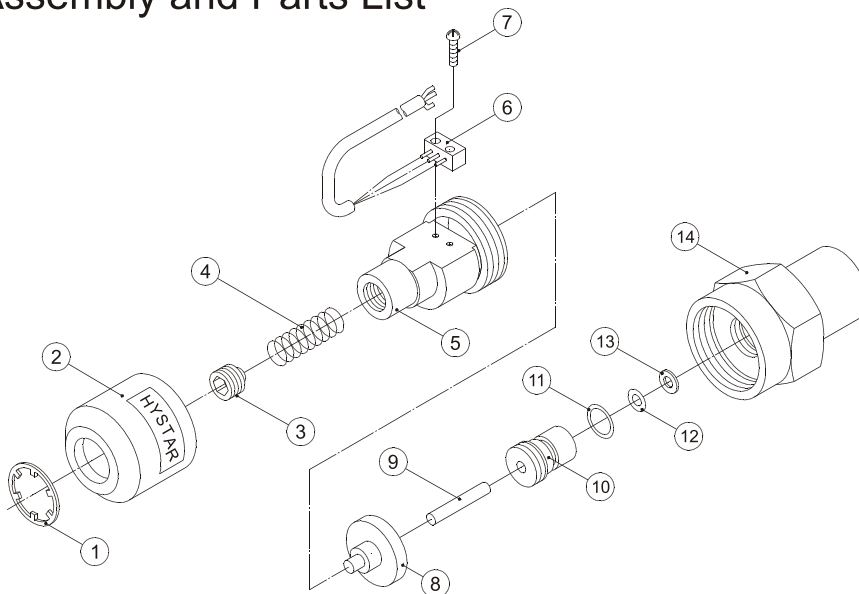
- ① Series DNK- Direct read-out, Standard type.
- ② Pressure Adj. Range
- ③ Design Number



Model	Pres Adj. Range bar	Surge Pres. bar	Weight kg
050K	15~ 50	150	1.0
100K	15~100	250	1.0
150K	30~150	300	1.0
250K	40~250	400	1.0

- ③ Design Number
22B:1/4"PT(Rc)
22B80:1/4"PF(G)
22B90:1/4"NPT

Assembly and Parts List



No.	Part Name
1	Ring
2	Cover
3	Pressure Adj. Knob
4	Spring
5	Inside Body
6	Micro-Switch
7	Fix-Screw
8	Space
9	Servo-Piston
10	Piston Body
11	O-Ring
12	O-Ring
13	Space
14	Body